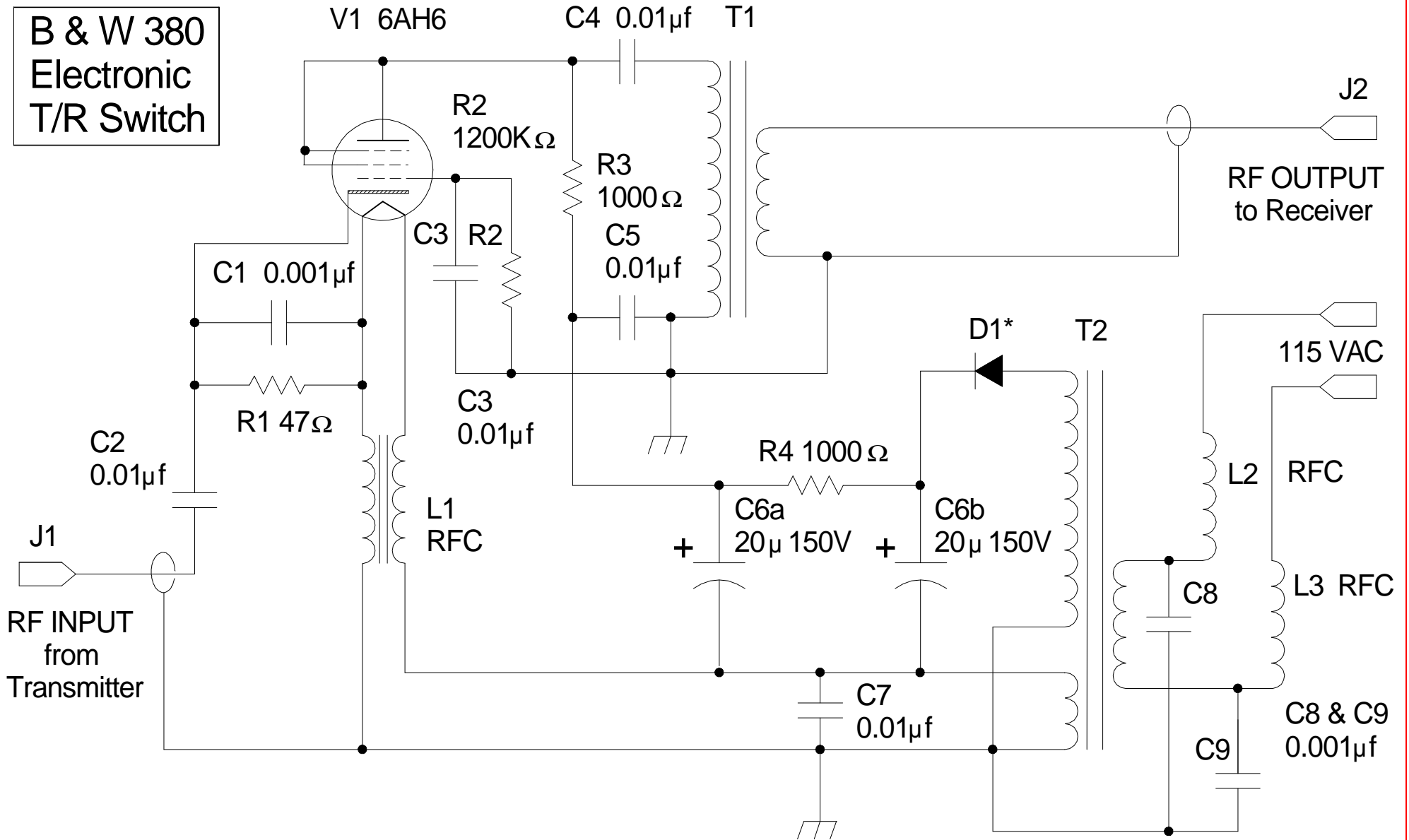


# B & W 380 Electronic T/R Switch



All Resistors are 1/2W & all capacitors are 500V unless otherwise noted.

**D1** = Selenium Rectifier - Do not simply replace with silicon diode - substitute values for R4 until 140 VDC on tube plate side of R4. Use 2W resistor for R4.

TITLE:		PAGE NR:
B & W 380 T/R SW		1 of 1
FILENAME:	SECTION:	CONNECTIVE COUNT:
B-W 380 T-R SW	HREquipment	n/a
E. T. TANTON		VERSION:
		1.1
		DATE:
		26 DEC 2006
		N4XY